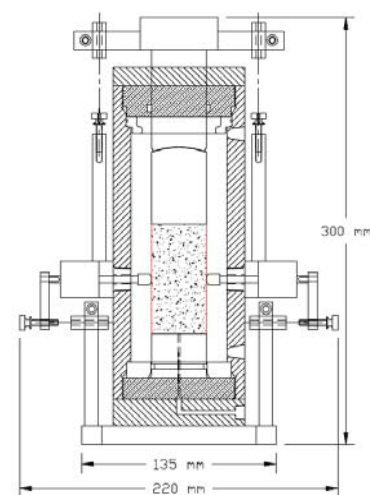


GCTS Rock Triaxial Cells

GCTS Rock Triaxial Cells

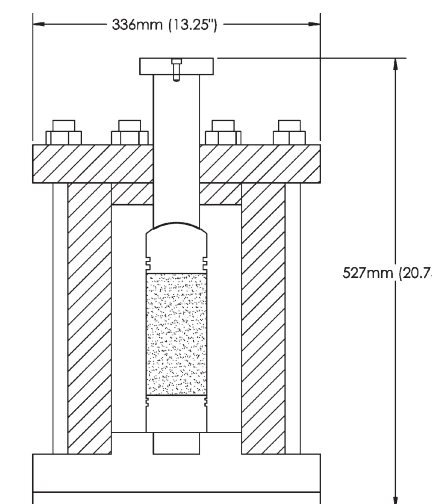
HTRX-010



Specifications

Pressure capacity:	70 MPa (10,000 psi)
Internal diameter (ID):	67 mm (2.5 in)
Overall width:	220 mm (8.7 in)
Overall height:	300 mm (11.8 in)
Mass:	18 kg (40 lbf)
Max. specimen size with internal instrumentation:	
Diameter:	54.7 mm (2.125 in)
Height:	108 mm (4.25 in)

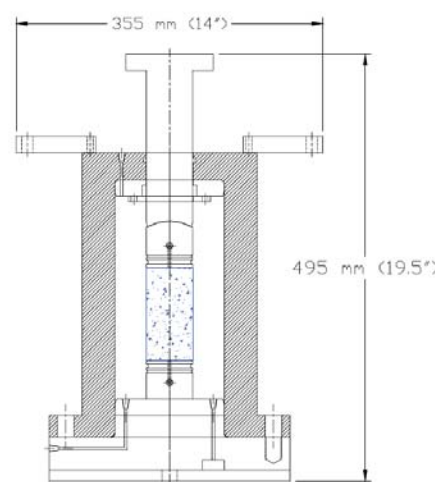
HTRX-140



Specifications

Pressure capacity:	140 MPa (20,000 psi)
Internal diameter (ID):	152 mm (6 in)
Overall width:	336 mm (13.25 in)
Overall height:	527 mm (20.75 in)
Mass:	119 kg (262 lbf)
Max. specimen size with internal instrumentation:	
Diameter:	65 mm (2.5 in)
Height:	127 mm (5 in)

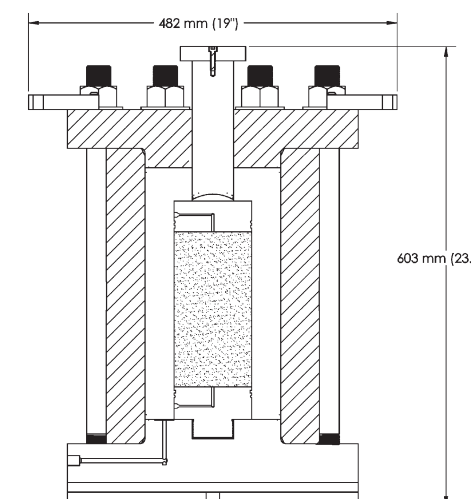
HTRX-070



Specifications

Pressure capacity:	70 MPa (10,000 psi)
Internal diameter (ID):	127 mm (5 in)
Overall width:	355 mm (14 in)
Overall height:	495 mm (19.5 in)
Mass:	111 kg (245 lbf)
Max. specimen size with internal instrumentation:	
Diameter:	54.7 mm (2.125 in)
Height:	108 mm (4.25 in)

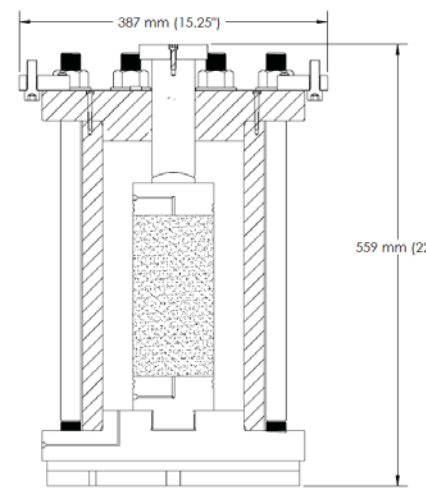
HTRX-140XL



Specifications

Pressure capacity:	140 MPa (20,000 psi)
Internal diameter (ID):	178 mm (7 in)
Overall width:	482 mm (19 in)
Overall height:	603 mm (23.75 in)
Mass:	248 kg (546 lbf)
Max. specimen size with internal instrumentation:	
Diameter:	100 mm (4 in)
Height:	200 mm (8 in)

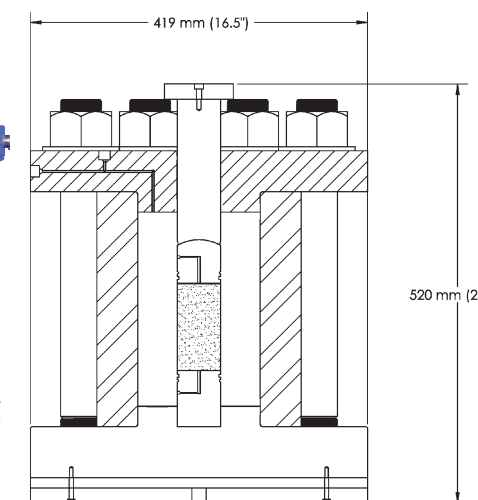
HTRX-070L



Specifications

Pressure capacity:	70 MPa (10,000 psi)
Internal diameter (ID):	178 mm (7 in)
Overall width:	387 mm (15.25 in)
Overall height:	559 mm (22 in)
Mass:	135 kg (298 lbf)
Max. specimen size with internal instrumentation:	
Diameter:	100 mm (4 in)
Height:	200 mm (8 in)

HTRX-210



Specifications

Pressure capacity:	210 MPa (30,000 psi)
Internal diameter (ID):	152 mm (6 in)
Overall width:	419 mm (16.5 in)
Overall height:	520 mm (20.5 in)
Mass:	278 kg (612 lbf)
Max. specimen size with internal instrumentation:	
Diameter:	65 mm (2.5 in)
Height:	127 mm (5 in)